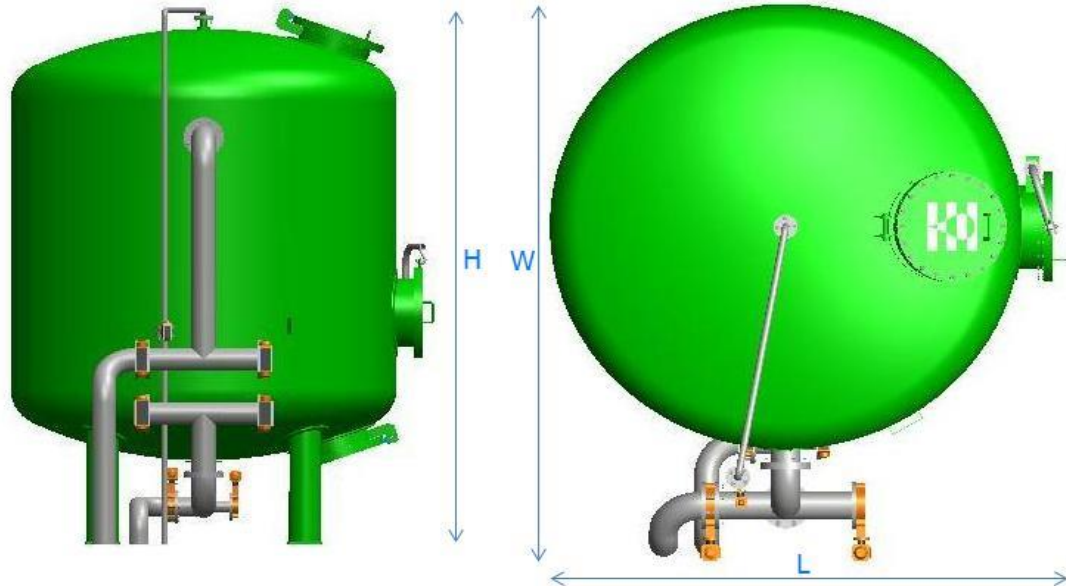


enki-dual									
Type	Flow rate (m <sup>3</sup> /h)			L	W	H	Connection	Weight	Price
	min	max	Backwash	mm	mm	mm	DN	kg	Euro
IDF 20-155	19	37	56	1.800	2.050	3.500	80	4.880	
IDF 20-170	22	45	67	1.935	2.240	3.720	100	5.730	
IDF 20-190	28	56	84	2.135	2.450	3.650	100	6.940	
IDF 20-215	36	72	107	2.385	2.700	3.850	100	8.760	
IDF 20-230	41	82	123	2.535	2.900	3.900	125	9.940	
IDF 20-245	47	93	140	2.775	3.050	3.980	125	11.650	
IDF 20-255	50	101	151	2.810	3.160	4.070	125	12.420	
IDF 20-270	56	113	166	2.935	3.370	4.270	150	13.820	
IDF 20-285	63	126	179	3.110	3.520	4.370	150	15.230	
IDF 20-300	70	139	209	3.260	3.680	4.400	150	16.820	
IDF 20-320	79	156	238	3.440	3.900	4.570	200	19.800	
IDF 20-335	87	174	261	3.610	4.180	4.680	200	21.810	
IDF 20-350	95	190	285	3.770	4.340	4.720	200	23.520	
IDF 20-365	103	207	310	3.900	4.460	4.820	200	25.320	
IDF 20-380	112	224	335	4.060	4.620	4.950	200	27.280	
IDF 20-400	124	248	372	4.260	5.035	5.200	250	31.300	

#### Standard Features

<b>Operation Pressure</b>	: 6 bar	<b>Surface Protection</b>	: Sa 2.5 Sa 2.5 Kumlama+ Epoksi boya
<b>Operation Temperature</b>	: 40 °C	<b>Design</b>	: AD/PED
<b>Material</b>	: Carbon Steel	<b>Valve type</b>	: Butterfly
<b>Nozzles</b>	: PP	<b>Price</b>	: Tank + Valve + Filling + Face piping
<b>Filling</b>	: Gravel+Sand+Anthracite		



enki reserves the right to change the specifications referred to in this table at any time, without prior notice